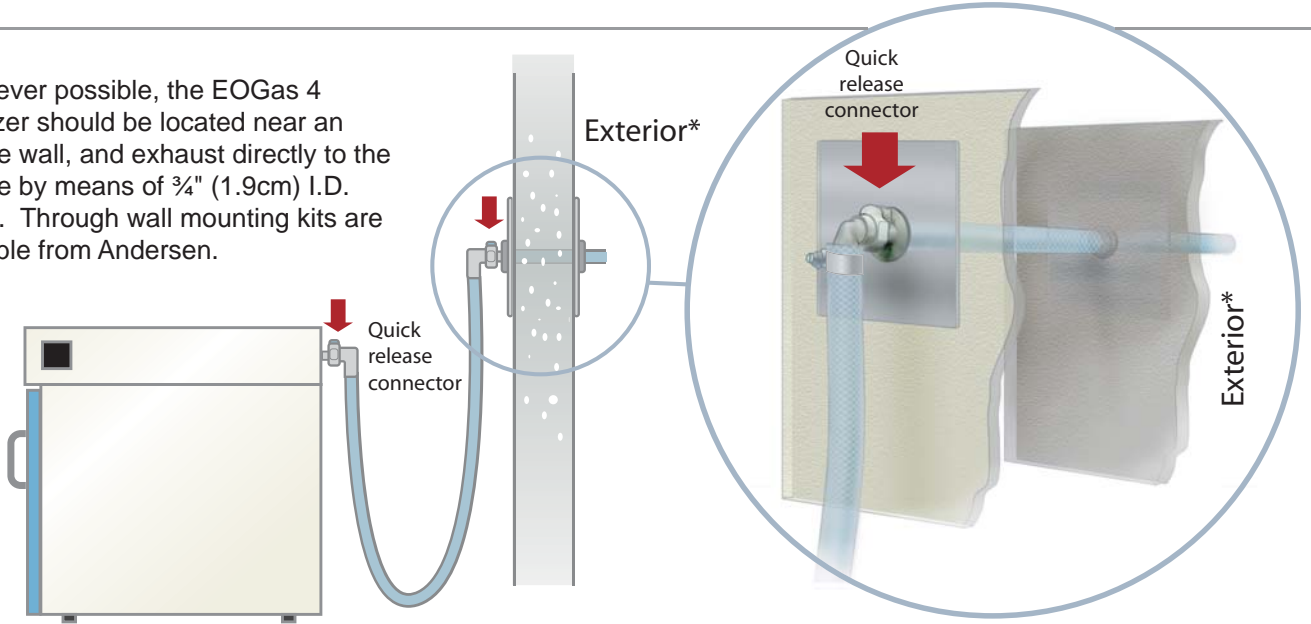


The following illustrate the EOGas 4 sterilizer installation options

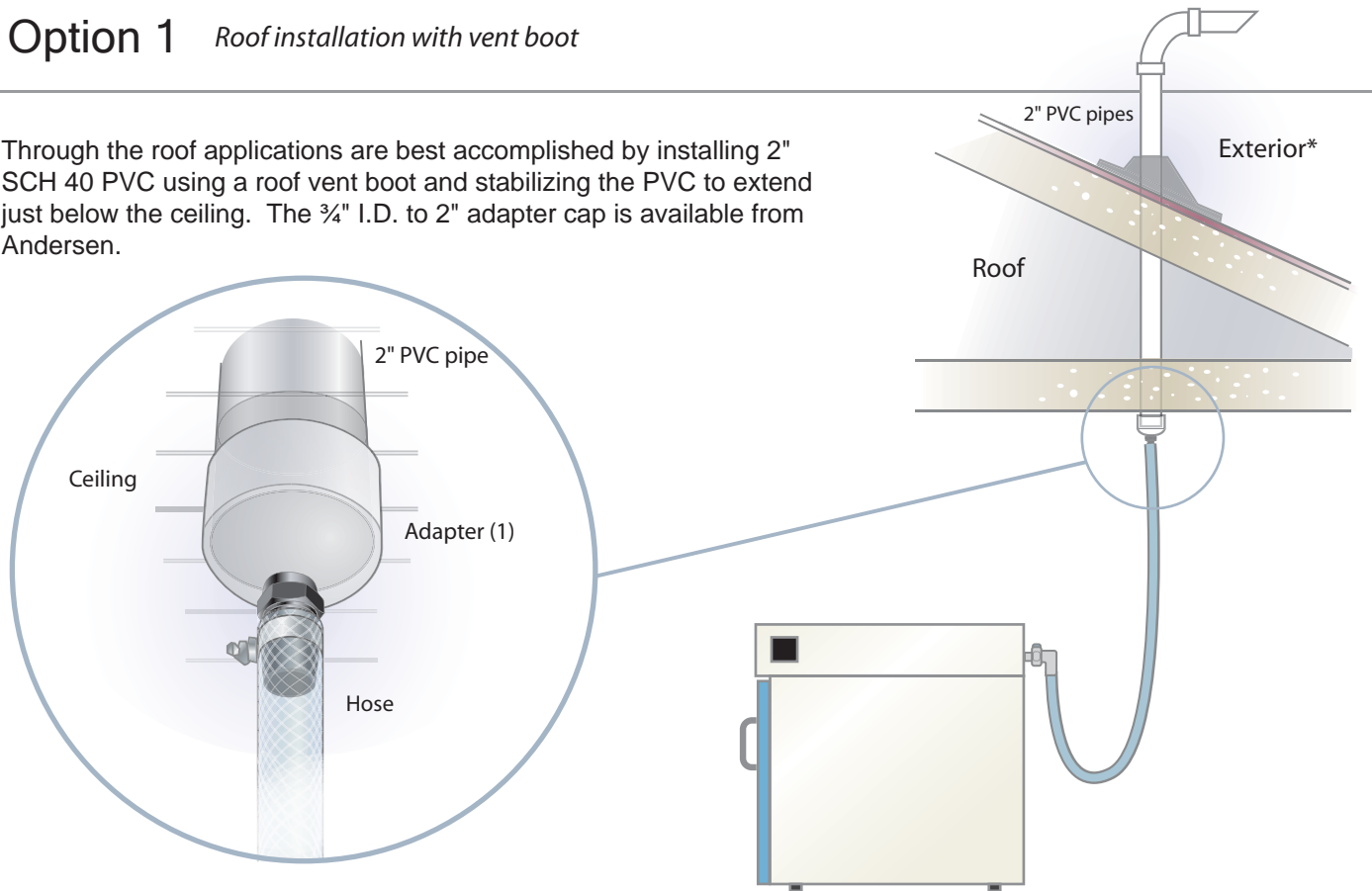
Recommended Installation

Whenever possible, the EOGas 4 Sterilizer should be located near an outside wall, and exhaust directly to the outside by means of $\frac{3}{4}$ " (1.9cm) I.D. tubing. Through wall mounting kits are available from Andersen.

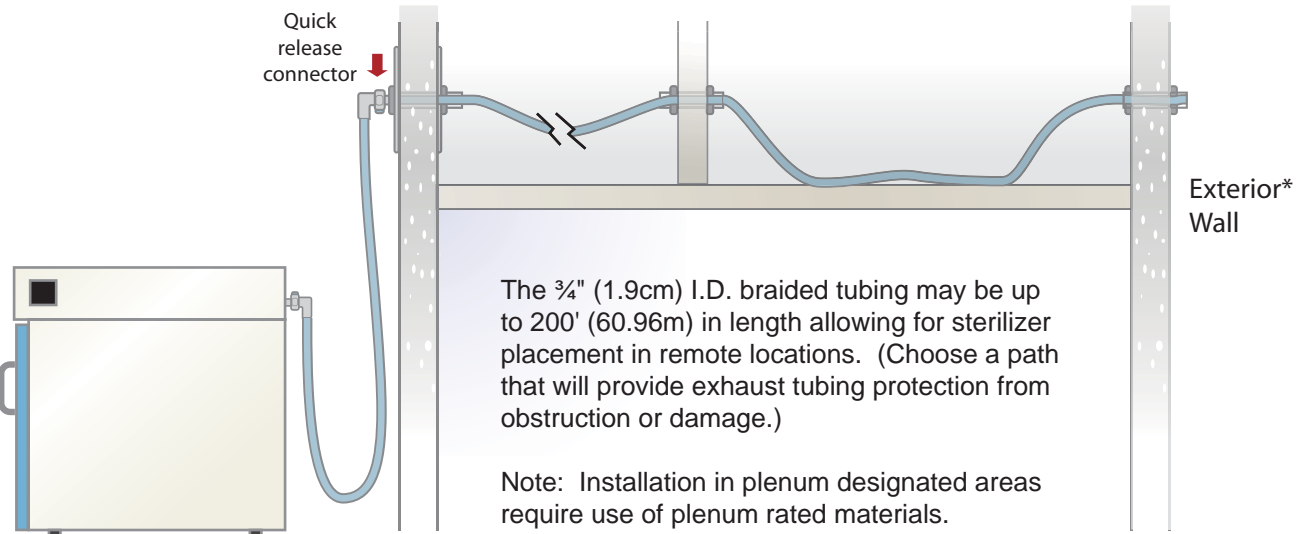


Option 1 *Roof installation with vent boot*

Through the roof applications are best accomplished by installing 2" SCH 40 PVC using a roof vent boot and stabilizing the PVC to extend just below the ceiling. The $\frac{3}{4}$ " I.D. to 2" adapter cap is available from Andersen.

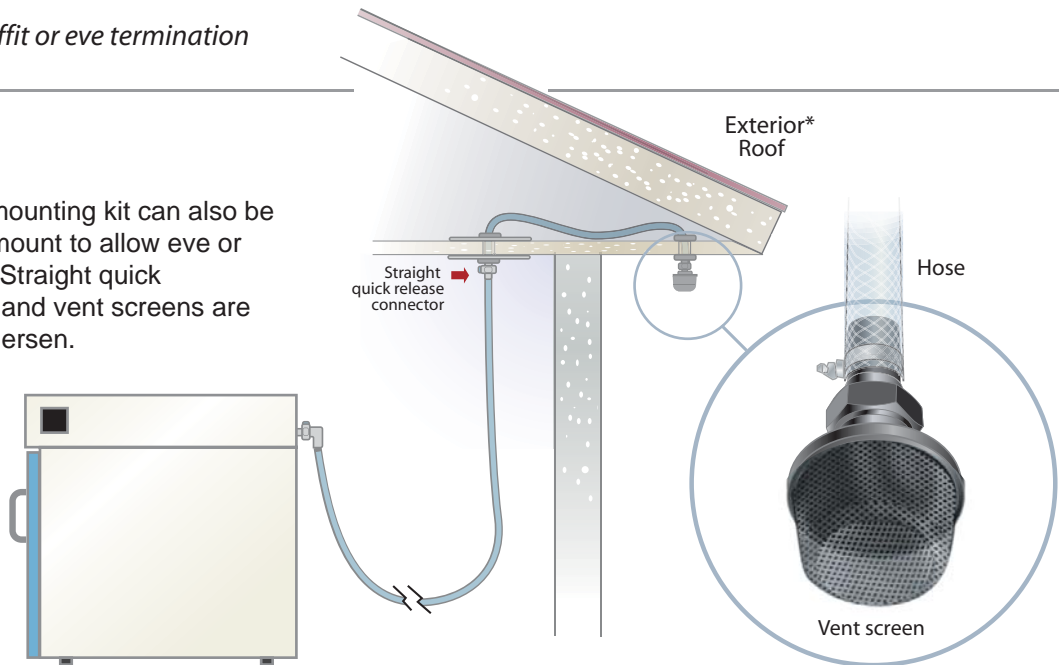


Option 2 Remote location installation



Option 3 Soffit or eve termination

The through wall mounting kit can also be used as a ceiling mount to allow eve or soffit termination. Straight quick disconnect fittings and vent screens are available from Andersen.



** Please note: AAMI guidelines recommend that all EtO sterilizers should be vented (exhausted) through a dedicated vent line to the outside atmosphere directly or through an emission control system. The vent should not terminate within 25 feet (7.6m) of any building air intake source or near pedestrian or animal traffic, nor should it allow EtO release into or to reenter the building.*

For further installation assistance please call your Andersen representative, or dial 1-800-523-1276

PN0000_11/2012