

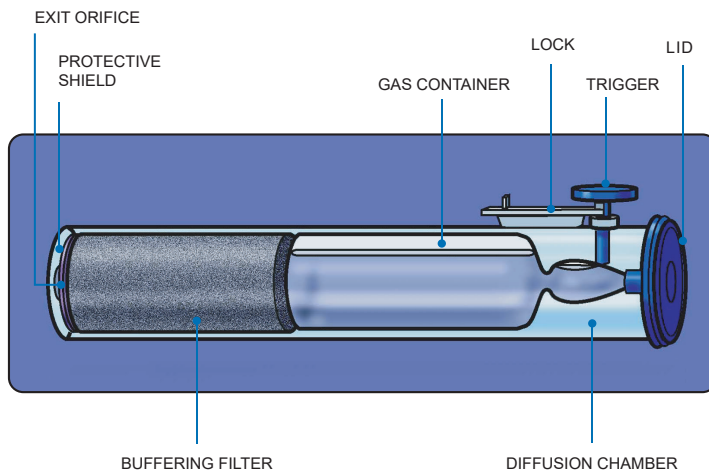
The future of 100% EtO sterilization: Less than 11 grams of gas per cycle

With Andersen's match load to cartridge method you never have to worry about tanks of EtO. Andersen Products offers cutting-edge technologies and over 35 years of expertise in sterilization with the only system that offers multiloading capability.

- ▶ **Match Load Volume:**
 - Two bag sizes available.
 - The AN1005 combines a 18"x 24" bag size with a 5 gram EtO cartridge.
 - The AN1006 combines a 22"x36" bag size with an 11 gram EtO cartridge.
- ▶ **Cost Effective Kits include:**
 - 25 EOGas 100% EtO cartridges
 - 25 Humidichip™ relative humidity stabilizing chips
 - 25 EOGas Dosimeters®
 - 25 corresponding size Sterilization Bags
- ▶ **Design:**
 - Its robust design and polyurethane body make the EOGas cartridge one of the most reliable vehicles for releasing the ethylene oxide gas.
 - Double protection of the trigger via a plastic lock and a safety seal ensures operator safety.



Two sizes of sterilant cartridges and corresponding bags simplify sterilization. Process loads of various sizes simultaneously. Avoid restrictions of single chamber batch processing.



The gas goes through 3 barriers before it reaches the venting mechanism. Double protection trigger.

PN258_011020

Manufactured by: Andersen Sterilizers, Inc.



sterility.com
Andersen Products, Inc.
 Health Science Park • 3202 Caroline Dr.
 Haw River, NC 27258-9564 USA
 800.523.1276 • fax 336.376.8153

sterility.com
H. W. Andersen Products of California, Inc.
 Health Science Park • 3151 Caroline Dr.
 Haw River, NC 27258-9575 USA
 800.524.3455 • fax 336.376.3088

EC REP

Distributed in Europe by:
H. W. Andersen Products, Ltd.
 Unit 808 Oakwood Business Park
 Fowler Road • Clacton-on-Sea
 Essex CO15 4AA UK

Manufactured by:
Andersen Sterilizers, Inc.
 3154 Caroline Drive
 Haw River, NC 27258 USA